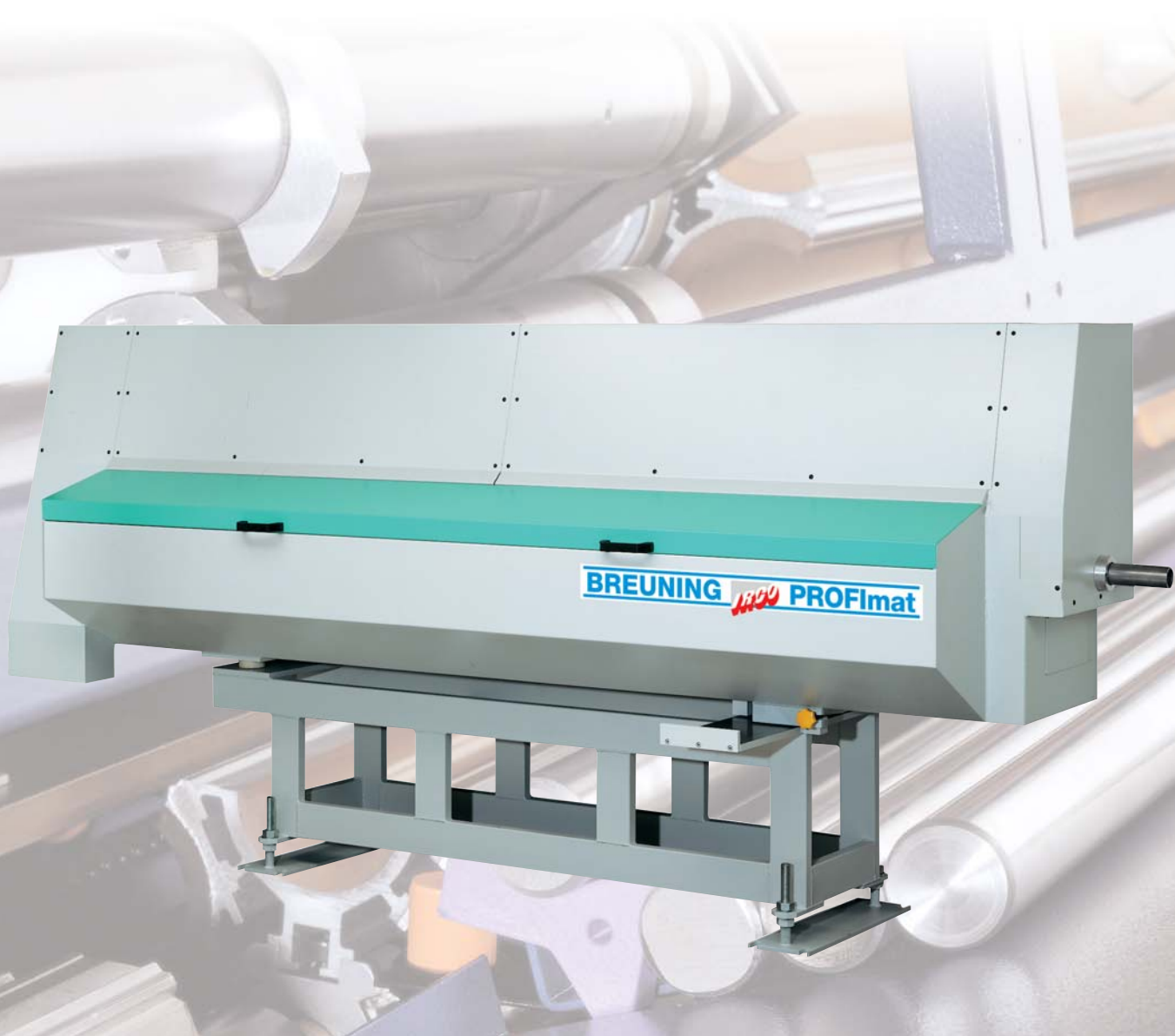


PROFImat High-performance loading magazine

TURNING SHORT AND LONG WORKPIECES
RATIONALLY OFF THE BAR



Introduction

Successful automation depends on the circumstances of the company.

Extremely efficient turning cells can be designed with the flexibly adjustable BREUNING loading and unloading technology 'through the spindle' directly on to the clamping mechanism. In addition to the achievable short cycle time, availability is also an important factor in a successful production plant. Reliability is the basis of all BREUNING's technological designs.

The BREUNING product programme focuses on two separate applications.

- The first example is the production company, which rationalises its manufacturing using innovative 'lean' production processes. BREUNING has developed a special 'know how' in this area along with corresponding automation concepts.
- The second is made up of the turning workshops in the supplier industry and the commissioned turning workshops, who can trust in the four decades of BREUNING experience, has gathered to meet their specific requirements.

The loading technology **'through the spindle directly on to the clamping mechanism'** offers undisputed advantages such as shortest possible cycle times, uninterrupted operation and optimum material use on single or dual spindle turning machines.

Regular and irregular profile bars can also be processed reliably. In addition to round material bars, the basic BREUNING hydro-dynamic guiding system supports the turning quality by providing particularly smooth running.



BREUNING PROFimat multi-channel loading magazines

LARGE SCALE PRECISION MACHINING

The small Danish town of Risskov is full of surprises. Jysk, founded by Freddy Arendtsen in 1973, is the precision machining specialist and has become the largest supplier company in Denmark's turning and milling industry.

Two milestones clearly define the company's dynamics. A plant with 5,000 sq. m. of floor space, was opened in 1987. In addition, the Voldby Maskinfabrik, with a production surface of 2,500 sq. m., was taken over in 1999. These two production plants now have a workforce of more than 90 employees.



The company focuses on producing medium and large material series on CNC high-speed machines. To achieve this, the company has more than 25 CNC turning machines of different types and more than 20 CNC-milling machines and processing centres. This is a remarkable machine capacity, however it needs to be sold.

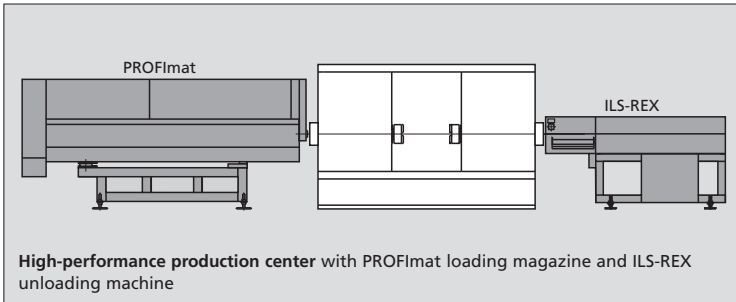
JYSK SPAANTAGNING A/S has not specialised on supplying a specific customer group or branch, but has instead positioned itself as a universally competent metalworking company. The founder takes care of the customers on the domestic market and Mr. Kurt Hansen deals with the export orders, which the company needs in order to maintain its production power.

The company's component spectrum is widespread, as the customers requiring turned and milled parts come from all branches. The materials that are processed vary accordingly. The turning dimensions range from 6 to 915 mm. The company works up to a diameter range of 65 mm in bar turning. Bar turning is a central significance in JYSK SPAANTAGNING A/S. The company realised years ago that the PROFimat from Breuning, combined with the unloading machine ILS-REX, leads to incomparable productivity in turning. No one in this extreme dynamically managed company can't even remember what it was like before the PROFimat automation was introduced.

www.breuning-irco.de



PROFimat + ILS REX = Perfect Loading and Unloading Technology



Technological consulting

In order to make full use of the often 'hidden' resources of turning machine automation, we recommend that you meet with one of our technological consultants.

BREUNING offers the required competency, as the company has focused exclusively on the loading technology and material feeding for four decades.

If you are interested in additional information, product catalogues or a meeting, please give us a call, send us a fax or an e-mail.

Kurt Breuning

IRCO Maschinenbau GmbH

Im Maurer 15

71144 Steinenbronn

GERMANY

Tel.: 0049 (0)7157 52860

Fax: 0049 (0)7157 528655

e-mail: technologie@breuning-irco.de

www.breuning-irco.de